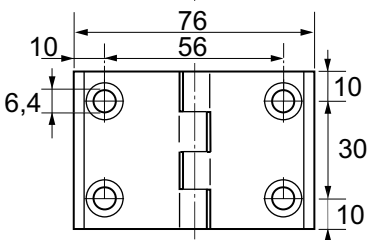
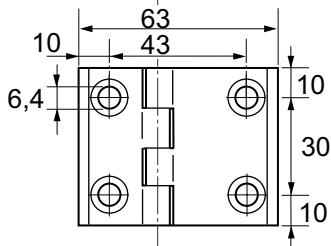
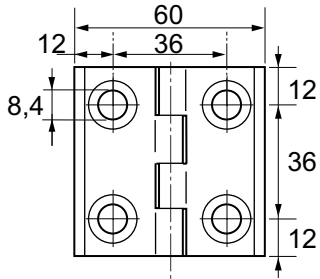
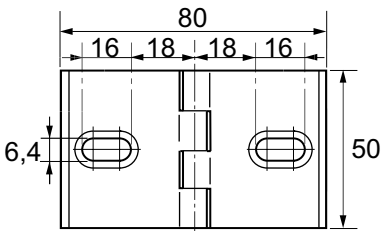
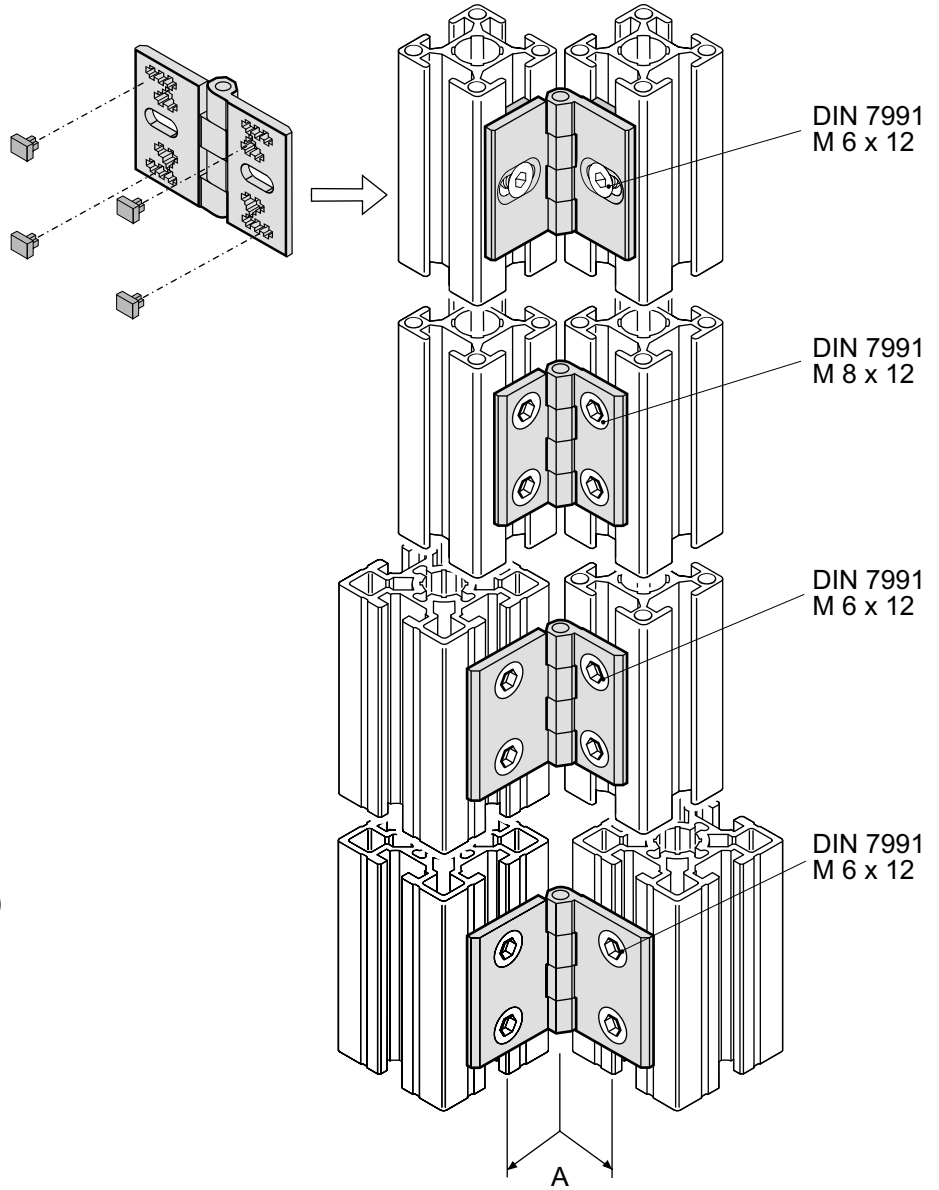




**Scharnier
Hinge
Charnière
Cerniere
Bisagra**



Scharnier
Hinge
Charnière
Cerniere
Bisagra

A = 36 - 62 mm	8720
A = 36 mm	8976
A = 43 mm	8975
A = 56 mm	8974

Zinkdruckguss, schwarz
Pressure-diecast zinc, black
Zinc moulé sous pression, noir
Zinco pressofuso, nero
Cinc fundido bajo presión, negro