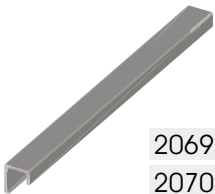
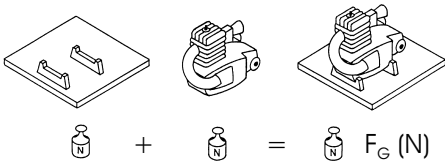
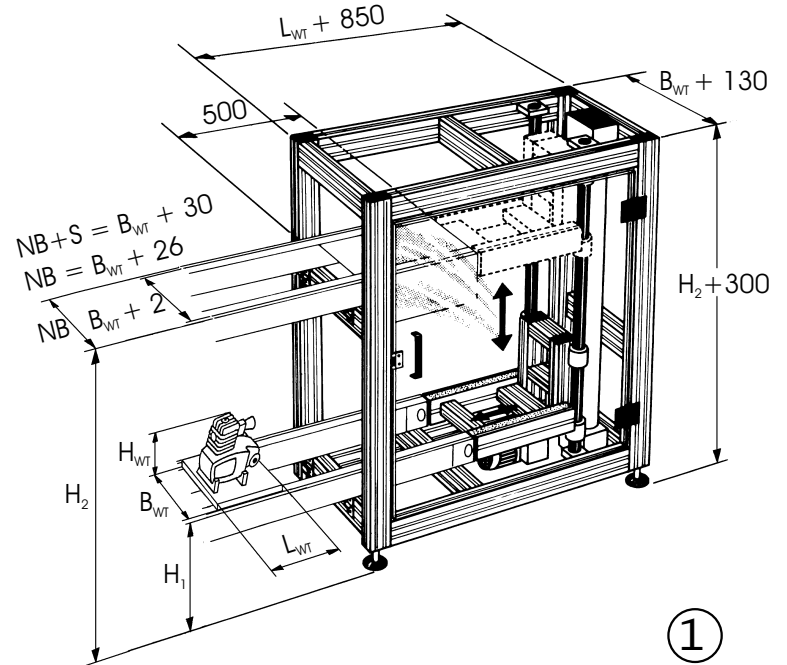
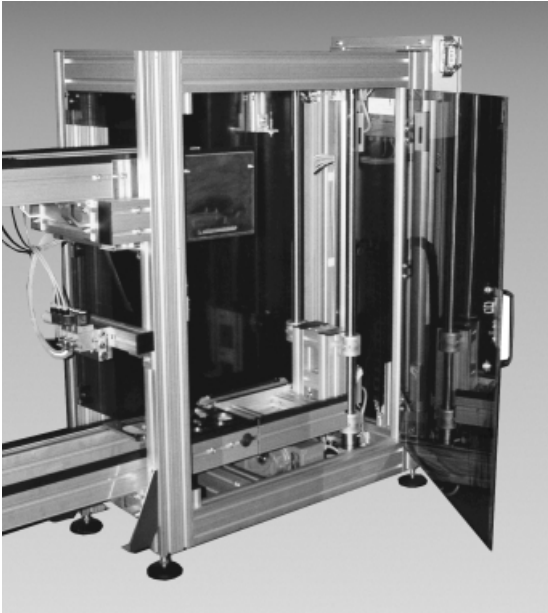
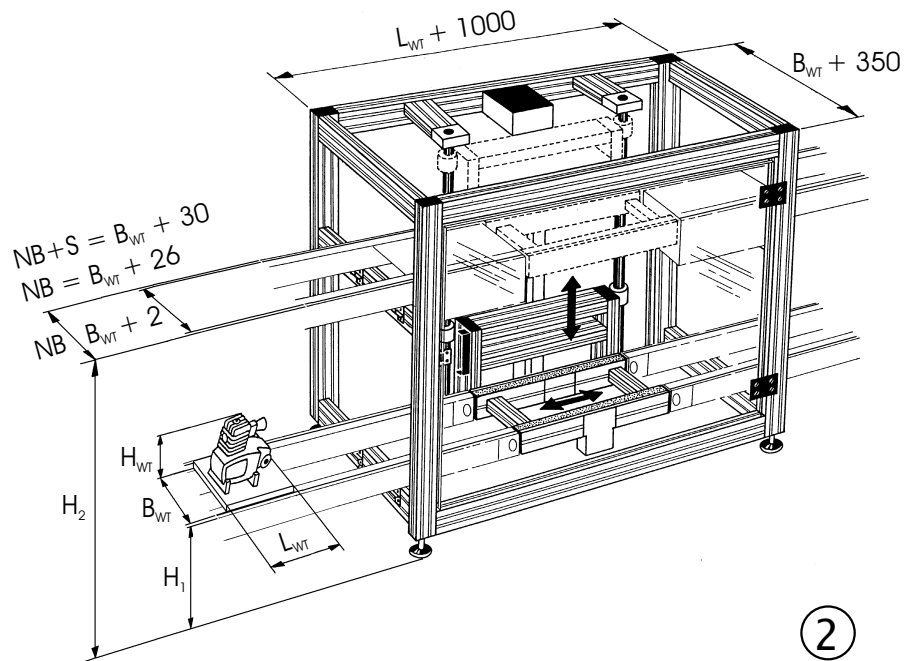




Lift
Lift
Elévateur
Elevatore/Discensore
Ascensor-Descensor



2069 (2.8.2)	<input type="checkbox"/>	<input checked="" type="checkbox"/>
2070 (2.8.2)	<input type="checkbox"/>	<input type="checkbox"/>



L _{WT}		mm
B _{WT}		mm
H _{WT}		mm
F _G		N
H ₁		mm
H ₂		mm
t _{WT}		sec

①	2110	<input type="checkbox"/>
②	2111	<input type="checkbox"/>