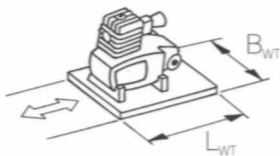
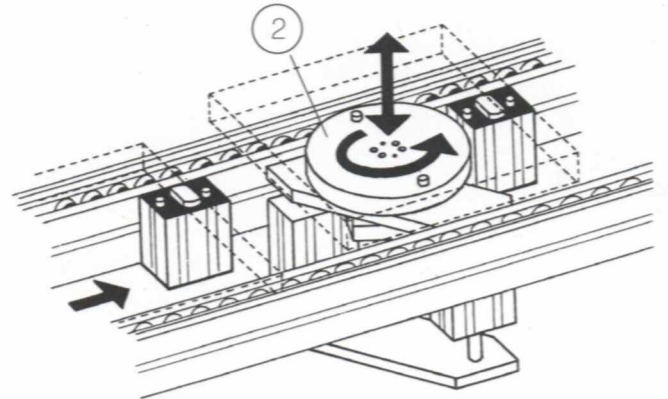
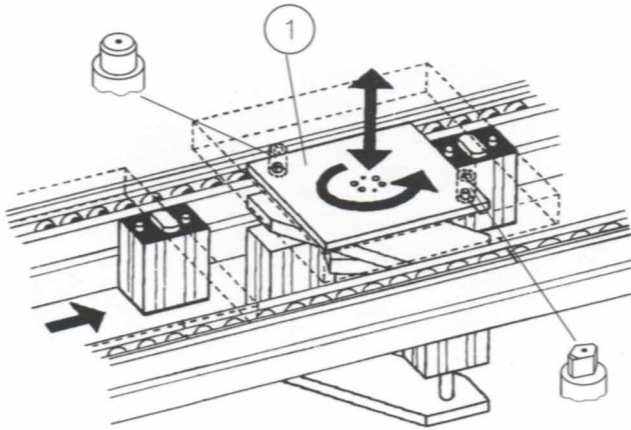




Hub-Dreheinheit 90° / 180°
 Lift and turning unit
 Unité d'élévation rotatif
 Unità rotante di corsa
 Unidad elevadora de giro



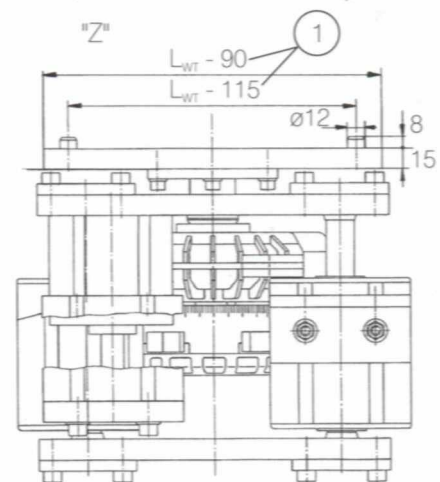
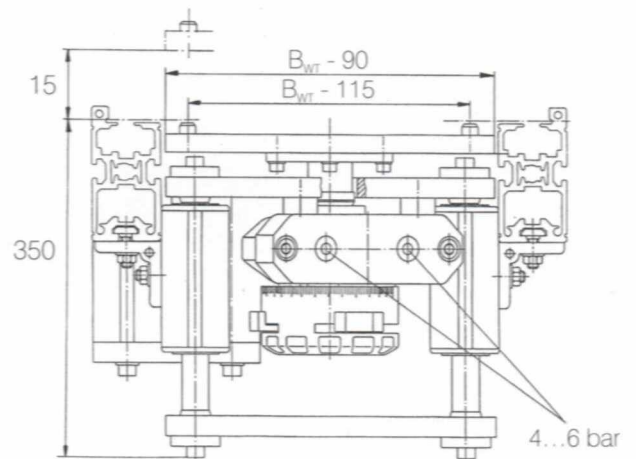
$$\text{N} + \text{N} = \text{N} F_G \text{ (N)}$$

$F_G \text{ max} = 300 \text{ N (6 bar)}$

L_{WT}	B_{WT}	F_G
mm	mm	N

$L_{WT} = B_{WT}$		$L_{WT} = B_{WT} / L_{WT} \neq B_{WT}$		
$0^\circ - 90^\circ$	$0^\circ - 90^\circ$	$0^\circ - 90^\circ - 0^\circ$	$0^\circ - 180^\circ$	$0^\circ - 180^\circ - 0^\circ$
(2)	(2)	(1)	(1)	(1)

"Z" →



(1)	2140
(2)	2141

