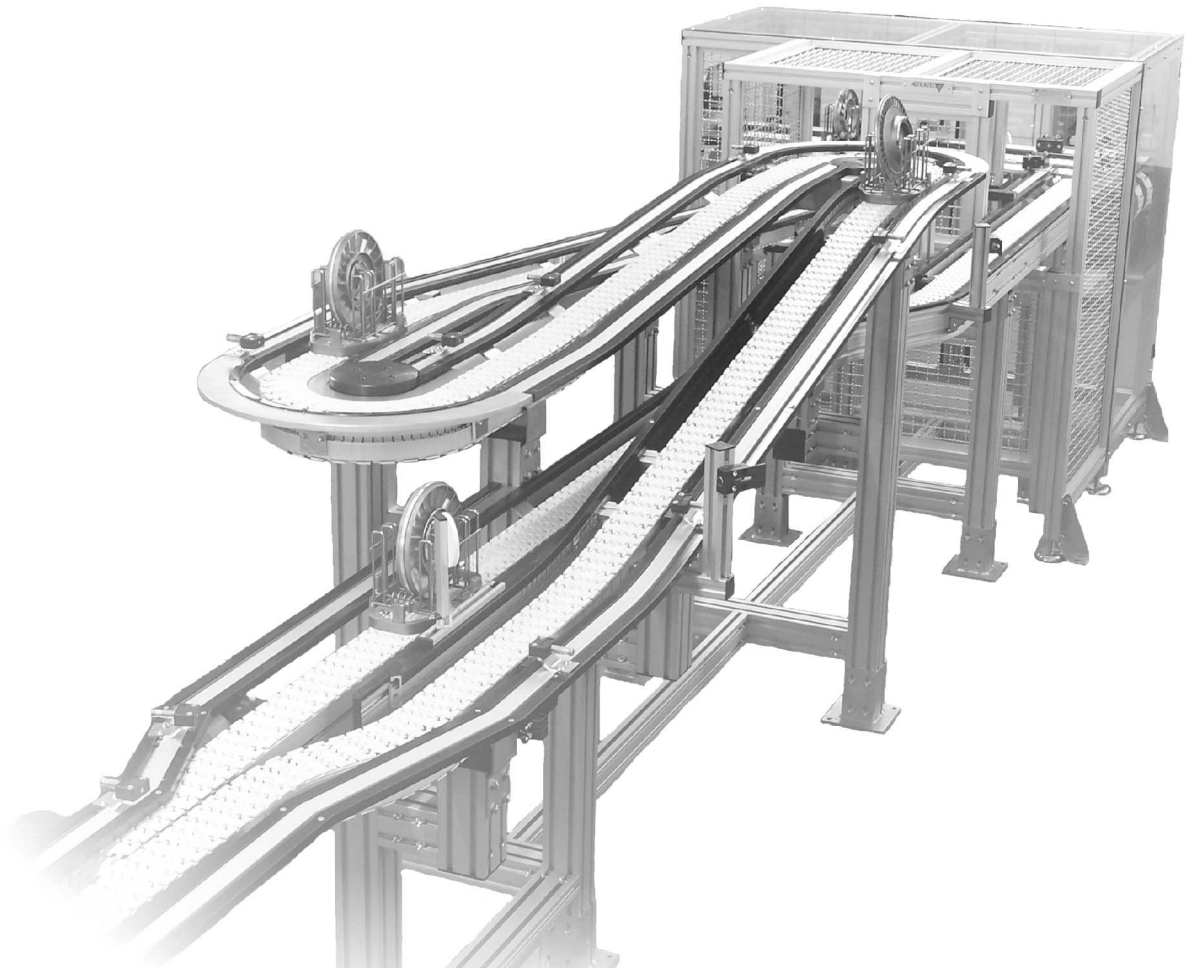


# 3D PLATE CHAIN CONVEYOR

The flexible 3D transport system for cycle-independent interlinking

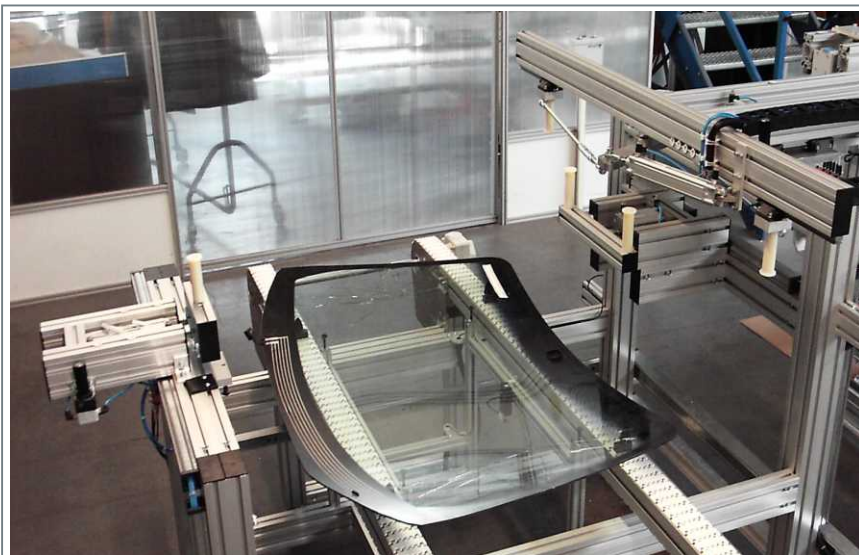
- Modular and cost-effective interlinking solution
- Designed for conveying, buffering, positioning as well as infeed and outfeed



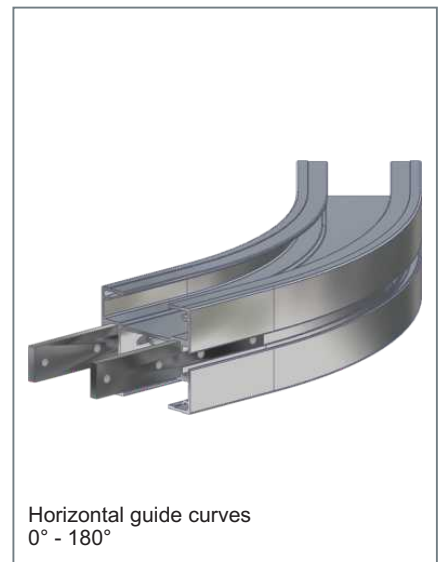
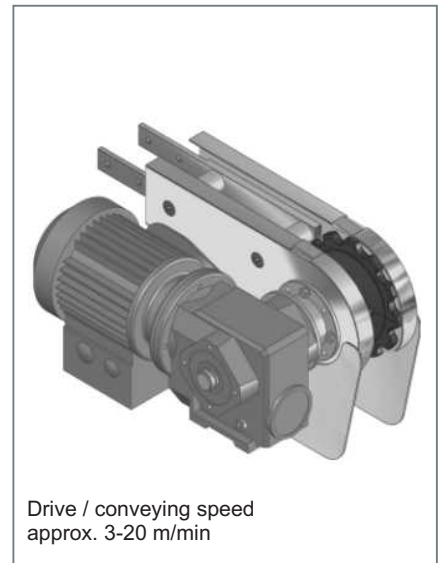
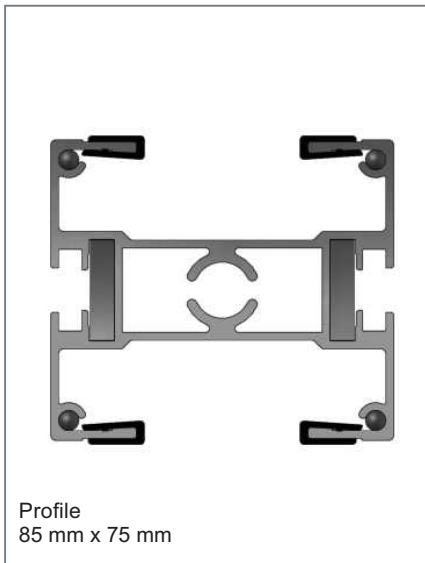
Transport medium:	3D plastic chain
Conveying speeds:	up to max. 20 m/min
Workpiece carrier dimensions:	L x B = 150 x 120 ... 800 x 600 (other dimensions available upon request)
Workpiece dimensions for transport without WP carrier:	Width of up ca. 80 mm
WP carrier weight including workpiece:	up to max. 15 kg
Positioning accuracy of WP carrier:	+/- 0.15 mm
WP carrier switchover times:	> 4 sec (depending on workpiece carrier dimension & weight)

The flexible 3D transport system for cycle-independent interlinking of manual workstations, automatic workstations (handling devices, robots) and machine tools / washing machines

The workpieces can be transported either with or without workpiece carriers.



## Modular system built on standardized mechanical modules



**ALTRATEC Automation GmbH**

Stuttgart Plant  
Herrenwiesenweg 22  
71701 Schwieberdingen  
GERMANY  
Ph. +49 7150 3506-0  
Fax. +49 7150 3506-29  
www.altratec.de · info@altratec.de

**ALTRATEC Automation GmbH**

Chemnitz Plant  
Südstraße 9  
09221 Neukirchen  
GERMANY  
Ph. +49 371 28134-0  
Fax. +49 371 28134-34  
www.altratec.de · info@altratec.de

**China Plant**

Bachtel Ltd.  
Suzhou New District, Suzhou City,  
Jiangsu Province  
China, PC. 215151  
Ph. +86 512 65 36 00 65  
Fax. +86 512 65 36 09 06

**Certified according to DIN EN ISO 9001:2008**